

IT

Indirect calorifer

Storage Capacity
300 Litres to 2800 Litres

Calorifiers for a wide range of applications



Technical specifications

		IT 300	IT 400	IT 500	IT 600	IT 750	IT 1000	IT 1500	IT 2000	IT 2500	IT 3000
Technical data											
Output coil	kCal	40,000	70,000	86,000	90,000	96,000	1,25,000	1,15,000	1,15,000	1,22,000	1,22,000
Output coil	kW	46	78	100	104	112	145	134	134	142	142
Surface area coil	m ²	1.47	2.45	3.11	3.45	3.72	4.82	5.2	5.2	6	6
Water capacity coil	l	8.9	14.8	18.8	29.3	31.6	40.9	40	40	45	45
Flow rate coil (80-60°C)	l/h	1978	3345	4300	4472	4816	6235	5762	5762	6106	6106
Pressure drop coil	mbar	56	244	489	104	128	259	158	158	174	174
Maximum working pressure tank	bar	10	10	10	10	10	10	8	8	8	8
Maximum working pressure coil	bar	16	16	16	16	16	16	6	6	6	6
Maximum operating temperature tank	°C	95	95	95	95	95	95	85	85	85	85
Maximum operating temperature coil	°C	110	110	110	110	110	110	90	90	90	90
Anodes	-	1	1	1	1	1	1	3	3	3	3
Maximum weight	kg	413	524	653	884	979	1343	1948	2226	3126	3400
Draw-off capacity											
Storage capacity	l	296	385	473	643	725	1007	1550	1800	2550	2800
360 min. ΔT=44°C	l	862	1281	1611	1908	2106	2852	3574	3960	5190	5576
60 min. ΔT=44°C	l	1312	2043	2588	2925	3200	4249	4884	5270	6578	6964
90 min. ΔT=44°C	l	1761	2806	3565	3941	4295	5666	6193	6580	7965	8352
120 min. ΔT=44°C	l	2211	3568	4542	4958	5389	7083	7503	7889	9353	9739
Continuous ΔT=44°C	l/h	899	1525	1955	2033	2189	2834	2619	2619	2775	2775
Heating-up time ΔT=44°C	min.	20	15	15	19	20	21	36	41	55	61
30 min. ΔT=50°C	l	759	1127	1417	1679	1853	2492	3145	3485	4567	4907
60 min. ΔT=50°C	l	1154	1798	2277	2527	2816	3739	4298	4638	5788	6128
90 min. ΔT=50°C	l	1550	2469	3137	3468	3779	4986	5450	5790	7010	7350
120 min. ΔT=50°C	l	1945	3140	3997	4363	4743	6233	6602	6942	8231	8571
Continuous ΔT=50°C	l/h	791	1342	1720	1789	1926	2494	2305	2305	2442	2442
Heating-up time ΔT=50°C	min.	22	17	16	22	23	24	40	47	63	69
30 min. ΔT=55°C	l	690	1025	1288	1527	1684	2265	2859	3168	4152	4461
60 min. ΔT=55°C	l	1049	1635	2070	2340	2560	3399	3907	4216	5262	5571
90 min. ΔT=55°C	l	1409	2244	2852	3153	3436	4533	4955	5264	6372	6681
120 min. ΔT=55°C	l	1769	1854	3634	3966	4311	5666	6602	6311	7482	7792
Continuous ΔT=55°C	l/h	719	1220	1564	1626	1751	2267	2095	2095	2220	2220
Heating-up time ΔT=55°C	min.	25	19	18	24	25	27	44	52	69	76
Shipping data											
Weight empty	kg	117	139	180	241	254	336	398	426	576	600
Weight incl. packaging	kg	128	153	201	251	260	348	488	526	686	720
Width packaging	mm	780	780	780	870	870	1010	1170	1170	1498	1498
Height packaging	mm	1510	1850	2150	1930	2150	2100	2060	2248	2120	2195

IT

Tanks or calorifiers with single-wall spiral heat exchanger suitable for wide range of applications.

FEATURES

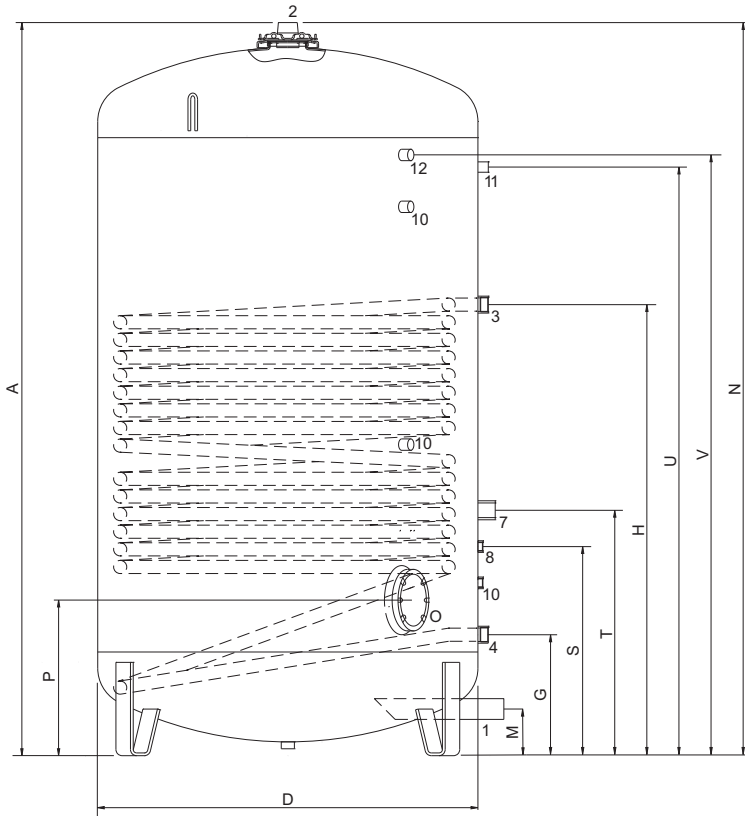
SIZES	300 Litres to 28,000 Litres.
MAXIMUM WORKING PRESSURE	300 to 1000 Litres at 10 bar working pressure. 1500 to 3000 Litres at 8 Bar working pressure.
GLASS LINING	All internal surfaces exposed to water are glass-lined. Perma Glass Ultra Coat second-generation glass coating technology prevents corrosion.
ANODE	Replaceable magnesium anode.
WARRANTY	All IT tanks receive a three years warranty on the tank and one year on parts.
OTHER STANDARD FEATURES	<ul style="list-style-type: none">• Insulated access cover for comprehensive waterside maintenance• IT 300: Three adjustable legs facilitate easy installation• IT 400-1000: Insulated ring base
OPTIONS	<ul style="list-style-type: none">• Flexible magnesium anode for installation in confined areas• Powered anode for reduced maintenance requirements• Temperature and pressure valve with stainless steel spring set to 95°C and a maximum water pressure of 7 bar• Analogue temperature gauge (0-120°C)• Electric element heat packs (3 -36 kW)• Unvented kits• Destratification pump kit• Flowstore heat pack

ABOUT A. O. SMITH

A. O. SMITH: WORLDWIDE	<p>A. O. Smith is the largest manufacturer in North America, and one of the world's leading manufacturers of residential and commercial water heating equipment, offering a comprehensive product line and featuring the best-known brands in North America and China. Through an inspired blend of innovation, teamwork, technology and industry expertise, A. O. Smith has created a full line of state-of-the-art water heaters and boilers that combine incredible performance with higher-than-ever energy efficiency. A. O. Smith is a global leader applying innovative technology and energy-efficient solutions to products marketed worldwide. A. O. Smith is also one of the largest manufacturers of electric motors for residential and commercial applications in North America.</p> <p>A. O. Smith developed and patented a process to glass-line water heaters. And over the years, A. O. Smith has gained the respect and support of homeowners, contractors, architects, and specifying engineers in over 60 countries by providing innovative energy efficient products designed for years of trouble-free service.</p>
A. O. SMITH: INDIA	<p>A. O. Smith India Water Heater Private Limited was established in 2005. Backed by 70 years of proven technological advances A. O. Smith India has created a stylish design with features demanded by the Indian consumer and successfully marketed a range of domestic water heaters that in a short period of time have become the most trusted brand in its category.</p>

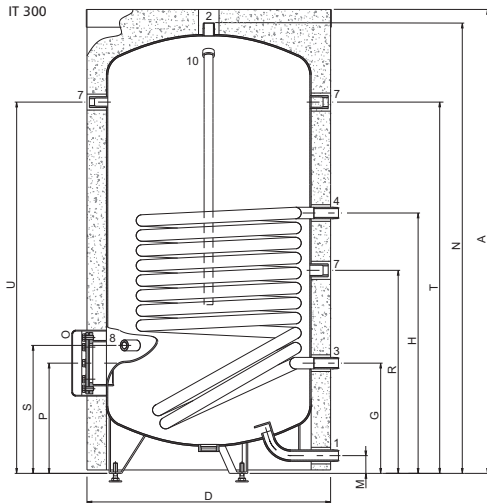
Dimensions

IT 1500-3000



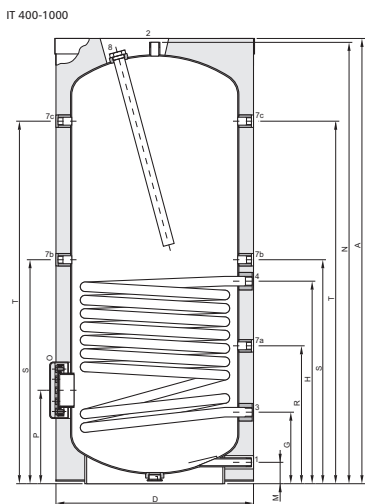
Dimensions in mm

	IT 1500	IT 2000	IT 2500	IT 3000
A	1880	2068	1939	2068
D	1880	2068	1939	2068
	1100	1100	1400	1400
G	1200	1200	1500	1500
H	350	350	430	430
M	1305	1305	1283	1283
N	135	135	183	183
O	1930	2118	1989	2118
P	180	180	180	180
R1	425	425	510	510
R2	500	500	580	580
R3	950	950	982	982
S	1400	1588	1430	1559
T	605	605	685	685
U	710	710	790	790
V	1515	1703	1530	1624
	1550	1738	1530	1659
1 Cold water	R 2	R 2	R 2	R 2
2 Hot water	R 2	R 2	R 2	R 2
3 Inlet coil	Rp 1¼	Rp 1¼	Rp 1¼	Rp 1¼
4 Outlet coil	Rp 1¼	Rp 1¼	Rp 1¼	Rp 1¼
7 Connection	Rp 1¼	Rp 1¼	Rp 1¼	Rp 1¼
8 Connection immersion well	Rp ¾	Rp ¾	Rp ¾	Rp ¾
10 Anode connection	Rp ¾	Rp ¾	Rp ¾	Rp ¾
11 Service valve	Rp 1	Rp 1	Rp 1	Rp 1
12 Temperature meter	Rp ¾	Rp ¾	Rp ¾	Rp ¾



Dimensions in mm

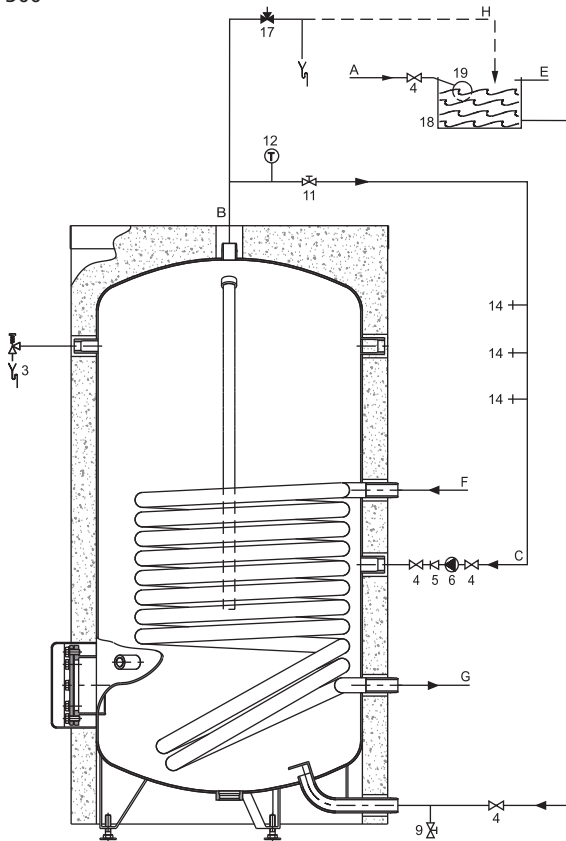
	IT 300	IT 400	IT 500	IT 600	IT 750	IT 1000
A	1370	1705	2040	1835	2030	2000
D	720	720	720	910	910	1060
G	325	255	255	305	305	345
H	765	1010	1205	1145	1205	1305
M	75	70	70	85	85	95
N	1310	1650	1990	1795	1990	1960
O	115	115	115	180	180	180
P	325	330	330	415	415	445
R	595	500	500	650	650	700
S	375	1095	1290	1235	1295	1395
T	1115	1360	1700	1475	1670	1600
U	1115	-	-	-	-	-
1 Cold water	R1	R2	R2	R2½	R2½	R2½
2 Hot water	R1	R2	R2	R2½	R2½	R2½
3 Inlet coil	R1	Rp1	Rp1	Rp1	Rp1¼	Rp1¼
4 Outlet coil	R1	Rp1	Rp1	Rp1	Rp1¼	Rp1¼
7 Connection	Rp¾	Rp¾	Rp¾	Rp¾	Rp¾	Rp¾
8 Anode connection	Rp½	Rp1¼	Rp1¼	Rp1¼	Rp1¼	Rp1¼
10 Anode connection	R1	-	-	-	-	-



All IT calorifiers receive a three years warranty on the tank and one year on parts.

Installation diagrams

IT 300



- 2 Protected cold supply setup
- 3 T&P valve
- 4 Stop valve
- 5 Non-return valve
- 6 Circulation pump

- A Cold water
- B Hot water
- C Return circulation
- F Primary flow
- G Primary return

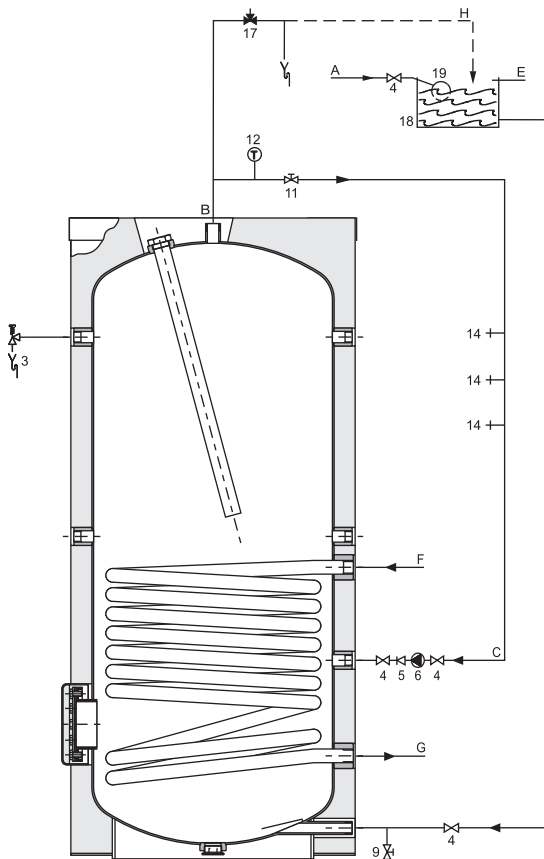
The IT 300 and 400-1000 is also available in unvented version.

A.O. Smith unvented system kits utilise combination valves.

Further installation and connection details can be found in the Installation & Commissioning Manual.

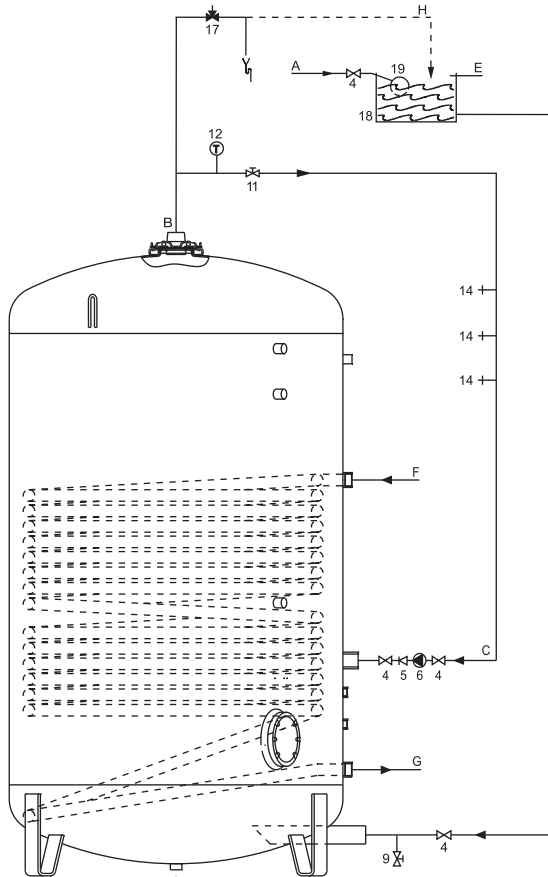
For the parts numbers of components please refer to the "Maintenance and accessories" chapter.

IT 400-1000



Installation diagrams

IT 1500-3000



- 3 T&P valve
- 4 Stop valve
- 5 Non-return valve
- 6 Circulation pump
- 9 Drain valve
- 11 Isolating valve
- 12 Temperature gauge
- 14 Hot water outlets
- 17 Three way valve
- 18 Water tank
- 19 Float valve

- A Cold water
- B Hot water
- C Return circulation
- F Primary flow
- G Primary return
- E Over flow pipe
- H Expansion vent pipe

The IT 1500-3000 is also available in unvented version.

A.O. Smith unvented system kits utilise combination valves.

Further installation and connection details can be found in the Installation & Commissioning Manual.

A. O. Smith India Water Heating Private Limited

No. 3, 6th Main Road, 4th Block, Jayanagar, Bengaluru - 560 011.

T: +91.80.4255.6000 ■ F: +91.80.4255.6025 ■ Toll Free: 1.800.103.2468

■ www.aosmithindia.com

AO SmithTM
Innovation has a name.